

# e-S-ZWS TOWABLE POTABLE WATER SERVICE UNIT

## TECHNICAL SPECIFICATIONS

### ➤ Tank section with 800 liter capacity

- 800 liter total tank capacity
- Stainless steel vacuum tank (AISI 316) with 500 mm manhole

### ➤ Cart

- Lithium battery, 48V/74 AH/3.5 kWh
- Onboard charger 230/48V/30AH
- Short wheelbase for safe and easy maneuvering
- Parking brake system
- Standard painting in white RAL 9016
- Two working lights
- Fiberglass cover

### ➤ Fluid system

- Electric water pump with low-level protection. Approx 90l/min; max. 2.0 bar
- Operator's panel easy and intuitive to operate
- Level indicator showing Tank volume
- Resettable LCD displays showing water flow to aircraft water tank
- No "dead ends" in fluid System, minimalizing for bacteria growth

### ➤ Possible additional options

- Winterization package
- Ladder for access to aircraft
- Return suction on water hose
- Box for wheel chocks
- Brackets for fire extinguisher

### ➤ Weight

- Empty tank approx. 1110 kg.



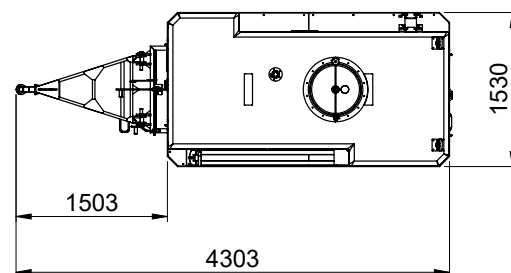
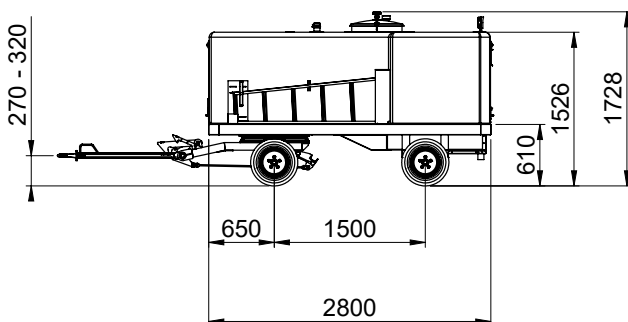
Unit with fiberglass cover



Machine room



P6 panel



For questions and requests for further information please contact:

#### Vestergaard Company A/S

Skuldebjerg 31 • Gevinge  
DK-4000 Roskilde • Denmark  
Tel: +45 4642 2222  
sales@vestergaardcompany.com  
www.vestergaardcompany.com

#### Vestergaard Company Inc.

1903 W. Rte. 120  
McHenry, IL 60051 • USA  
Tel: +1 815 759-9102  
Toll free: +1 888 759-9118  
usa@vestergaardcompany.com

#### Vestergaard Company SASU

Bâtiment 3450 A, 4, Rue du Té  
93290 Tremblay-en-France • France  
Tel.: +33 1 30 34 55 87  
france@vestergaardcompany.com

#### Vestergaard Company Ltd.

21/46 Moo 10,  
Nongkham, Sriracha,  
Chonburi 20230 • Thailand  
Tel: +66 33 265769  
asia@vestergaardcompany.com

Caution: Specifications and measurements are advisory only, and will vary. Please request exact data.

