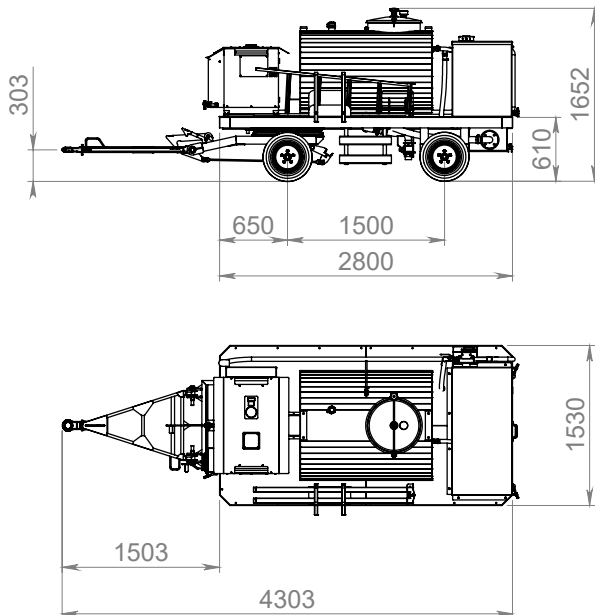


# S-ZWS - TOWABLE POTABLE WATER SERVICE UNIT

## TECHNICAL SPECIFICATIONS

- **Tank section with 800 liter capacity**
  - 800 liter total tank capacity
  - Stainless steel tank (AISI 316) with 500 mm manhole
- **Cart**
  - 6.9 kW diesel generator
  - Short wheelbase for safe and easy maneuvering
  - Parking brake system
  - Standard painting in white RAL 9010 with a layer of min. 180 µm
- **Fluid system**
  - Electric water pump with low-level protection. 90 l/min; max. 2.0 bar
  - Operator's panel, easy and intuitive to operate
  - Clear hoses showing filling volume
  - Resettable LCD display showing water flow to aircraft water tank
- **Possible additional options**
  - Electric option with battery pack (replacing diesel generator)
  - Light winterization package
  - Water filter for filling tank of towable unit
  - Ladder for access to aircraft
  - Two working lights
  - Box for wheel chocks
  - Brackets for fire extinguisher



For questions and requests for further information please contact:

**Vestergaard Company A/S**  
 Skulbjerg 31 • Gevninge  
 DK-4000 Roskilde • Denmark  
 Tel: +45 4642 2222  
 Fax: +45 4642 2232  
 sales@vestergaardcompany.com  
 www.vestergaardcompany.com

**Vestergaard Company Inc.**  
 1721 N. Oak Drive  
 McHenry, IL 60050 • USA  
 Tel: +1 815 759-9102  
 Fax +1 815 759-9103  
 Toll free: +1 888 759-9118  
 usa@vestergaardcompany.com

**Vestergaard Company SASU**  
 Bâtiment 3450 A, 4, Rue du Té  
 93290 Tremblay-en-France • France  
 Tel.: +33 1 30 34 55 87  
 france@vestergaardcompany.com

**Vestergaard Company Ltd.**  
 Pinthong Industrial Estate  
 789/50 Moo 1, Nongkham  
 Chonburi 20230 • Thailand  
 Tel: +66 (0) 38 348 630  
 Fax: +66 (0) 38 348 631  
 asia@vestergaardcompany.com

Caution: Specifications are advisory only, and will vary. Please request exact data.

COMPANY  
**VESTERGAARD**