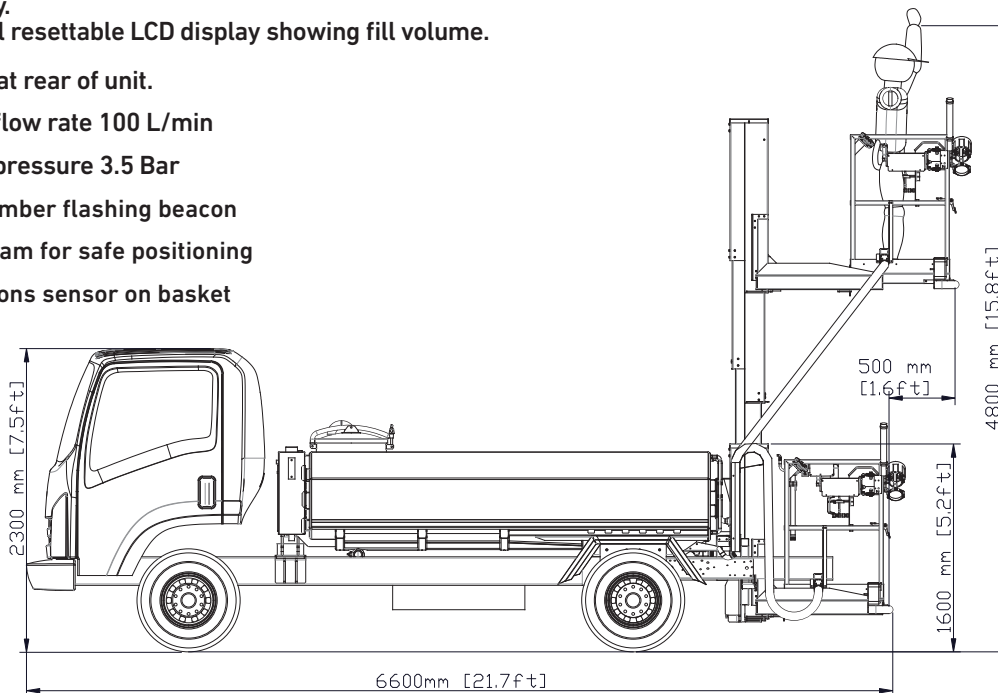


# ZWS - POTABLE WATER SERVICE UNIT

## TECHNICAL SPECIFICATIONS

- Total tank capacity 3700 liter
- Stainless steel (AISI 316) tanks with 5 year warranty
  - 500 mm manhole stainless steel (AISI 316) with snap-lock.
- Special tank designed to avoid bacterial growth
- All components, hoses, connections, etc. in food grade quality.
- Large elevating working platform: Maximum height of platform floor 3.0 meter
  - Horizontal extension up to 0.5 meter (optional)
  - Platform and complete lift assembly made of stainless steel
  - Able to service potable water systems on all type aircrafts.
- Installed on standard truck chassis: PTO on gearbox
  - Automatic speed-up function when in operation
  - Manual or automatic transmission.
- Simple operation with minimal training needed
- All components easily accessible for service and maintenance
- All components protected against corrosion
- Operators panel at platform accessible from ground and from inside platform respectively.
  - Optional resettable LCD display showing fill volume.
- Work light at rear of unit.
- Maximum flow rate 100 L/min
- Maximum pressure 3.5 Bar
- Standard amber flashing beacon
- Up-light beam for safe positioning
- Anti-collisions sensor on basket



For questions and requests for further information please contact:

### Vestergaard Company A/S

Skulbjerg 31 • Gevninge  
 DK-4000 Roskilde • Denmark  
 Tel: +45 4642 2222  
 Fax: +45 4642 2232  
 sales@vestergaardcompany.com  
 www.vestergaardcompany.com

### Vestergaard Company Inc.

1721 N. Oak Drive  
 McHenry, IL 60050 • USA  
 Tel: +1 815 759-9102  
 Fax +1 815 759-9103  
 Toll free: +1 888 759-9118  
 usa@vestergaardcompany.com

### Vestergaard Company SASU

Bâtiment 3450 A, 4, Rue du Té  
 93290 Tremblay-en-France • France  
 Tel.: +33 1 30 34 55 87  
 france@vestergaardcompany.com

### Vestergaard Company Ltd.

Pinthong Industrial Estate  
 789/50 Moo 1, Nongkham  
 Chonburi 20230 • Thailand  
 Tel: +66 (0) 38 348 630  
 Fax: +66 (0) 38 348 631  
 asia@vestergaardcompany.com

Caution: Specifications are advisory only, and will vary. Please request exact data.

