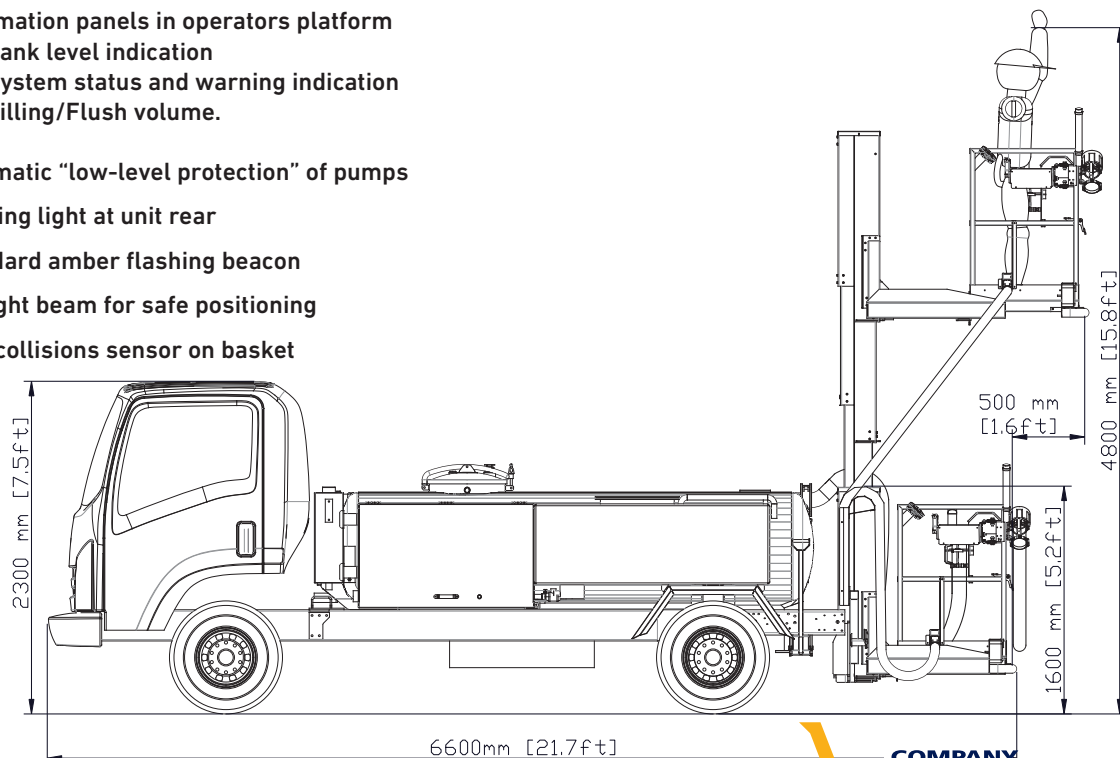


# ZVTS - VACUUM TOILET SERVICE UNIT

## TECHNICAL SPECIFICATIONS

- Total tank capacity 3000 liter:
  - 2000 liter waste
  - 500+500 liter flush water/desinfection fluid.
- Stainless steel tanks with 5 year warranty
  - 500 mm large manholes with snap-lock on waste tanks
- Large elevating working platform:
  - Maximum height of platform floor 3.0 meter
  - Horizontal extension up to 0.5 meter (optional)
  - Platform and complete lift arrangement of stainless steel.
- Installed on standard truck chassis:
  - PTO on gearbox
  - Automatic speed-up function when in operation
- Vacuum system:
  - Powerful continuous vacuum performance
- Custom-made HMI:
  - Pre-selection of aircrafts types for cost effective servicing
- Automatic flushing of waste tank
- Self cleaning vacuum blower
- Reflux system – prevents blue water spillage (optional)
- Pre-selection of filling volume
- Separate compartment for pumps and components
  - Easy access from each side via large gull-wing doors
  - All components protected against corrosion.
- Hydraulically operated waste drain valve
- Hydraulically operated waste inlet valve
- Information panels in operators platform
  - Tank level indication
  - System status and warning indication
  - Filling/Flush volume.
- Automatic “low-level protection” of pumps
- Working light at unit rear
- Standard amber flashing beacon
- Up-light beam for safe positioning
- Anti-collisions sensor on basket



COMPANY

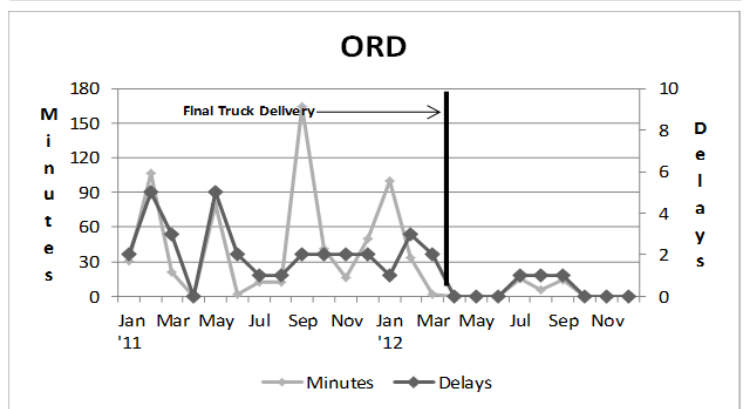
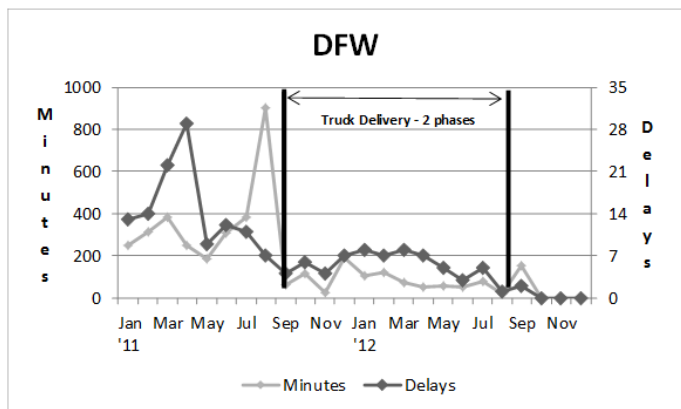
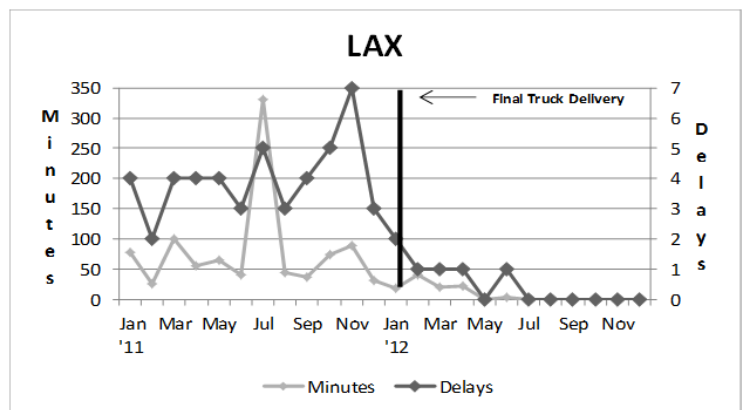
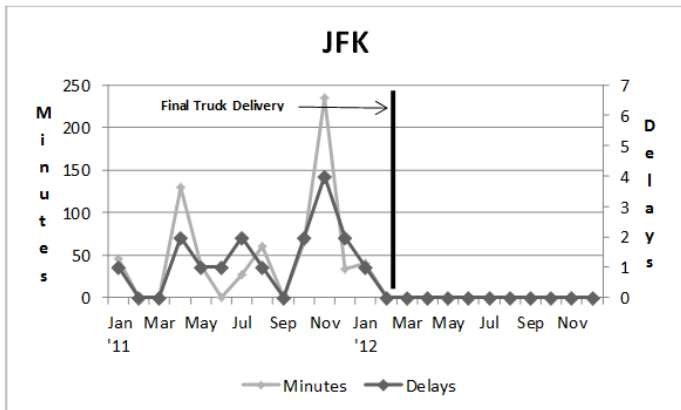
**VESTERGAARD**

Caution: Specifications are advisory only, and will vary. Please request exact data.

# VESTERGAARD VTS PERFORMANCE TRENDS

## AMERICAN AIRLINES

Performance trends at American Airlines in selected airports before and after purchase and implementation of Vestergaard Vacuum Toilet Service Units.



For questions and requests for further information please contact

**Vestergaard Company A/S**

Skullebjerg 31 • Gevninge  
 DK-4000 Roskilde • Denmark  
 Tel: +45 4642 2222  
 Fax: +45 4642 2232  
 sales@vestergaardcompany.com  
 www.vestergaardcompany.com

**Vestergaard Company Ltd.**

Pinthong Industrial Estate  
 789/50 Moo 1, Nongkham  
 Chonburi 20230 • Thailand  
 Tel: +66 (0) 38 348 630  
 Fax: +66 (0) 38 348 631  
 asia@vestergaardcompany.com

**Vestergaard Company Inc.**

1721 N. Oak Drive  
 McHenry, IL 60050 • USA  
 Tel: +1 815 759-9102  
 Fax +1 815 759-9103  
 Toll free: +1 888 759-9118  
 usa@vestergaardcompany.com

**Vestergaard Company SASU**

17 L route de Creil  
 95340 Bernes sur Oise • France  
 Tel.: +33 1 30 34 55 87  
 france@vestergaardcompany.com

