

## COMPACT DEICER



Based on its well-established, firm technical base in the Elephant family of aircraft de-icers, the Vestergaard Elephant® Sigma is introduced especially for servicing smaller to medium-sized aircraft. Either as a supplement to add flexibility to existing de-icing operations, or as the back-bone de-icer for airport operations, frequented by aircraft types of up to, and including, Boeing 757/767. With a maximum work height of over 10 metres, the Elephant® Sigma can easily and efficiently be used for de-icing high-T-tail, such as TU-134 or MD-80/90's.

In line with a classical Vestergaard "virtue", the unit is built on a standard, commercial chassis from a renowned telescope loader manufacturer, with a sturdy diesel engine and hydrostatic drive, allowing for world-wide, easy access to spare parts and servicing.

The unit is very compact and highly manoeuvrable in crowded apron environments and can be delivered in either one or two-man operation. With the one-man operation options the entire unit can be operated – and driven – by the operator in the basket, using joystick controls conveniently located in the basket. The basket has ample capacity for two persons, as it is rated for 200+ kg.

The rotating fly-jib boom system allows the spray operator to cover a horizontal width of more than 6 metres, meaning that re-positioning operations during de-icing can be minimized.

Highly compact in dimensions, and yet with a tank capacity of up to 3000 litres (in one, two or three-tank versions), the unit has considerable de-icing capacity, and with the 160 kW heater and Vestergaard's Batch Heating system there is less than 15 minutes from refilling with cold fluid to spraying.

### MAJOR ADVANTAGES

- » Self-propelled chassis
- » Generous selection of options
- » Highly competitive price

For questions and requests for further information please contact:

#### **Vestergaard Company A/S**

Skulbjerg 31 • Gevninge  
DK-4000 Roskilde • Denmark  
Tel: +45 4642 2222  
Fax: +45 4642 2232  
sales@vestergaardcompany.com  
www.vestergaardcompany.com

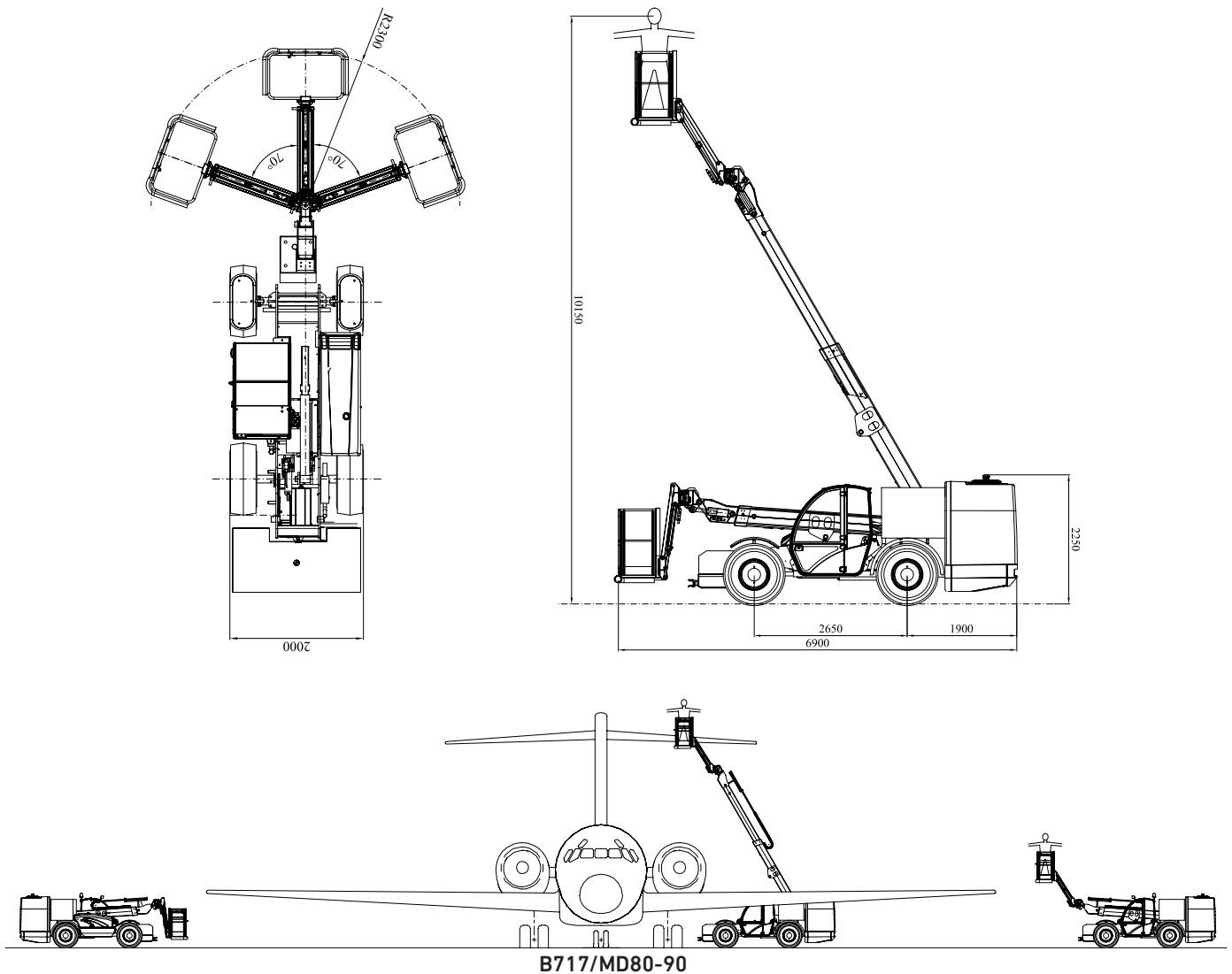
#### **Vestergaard Company Inc.**

1721 N. Oak Drive  
McHenry, IL 60050 • USA  
Tel: +1 815 759-9102  
Fax +1 815 759-9103  
Toll free: +1 888 759-9118  
usa@vestergaardcompany.com

#### **Vestergaard Company SASU**

17 L route de Creil  
95340 Bernes sur Oise  
Tel.: +33 1 30 34 55 87  
france@vestergaardcompany.com

## GENERAL DATA



B717/MD80-90

### Specifications:

#### Standard features:

- Chassis: Telescope loader
- Engine: Diesel engine (Deutz), hydrostatic drive
- Max. nozzle height: 10.1 metres
- Max. boom rotation: 6.0 metres
- Max. ADF flowrate: 150 l/min
- Tank capacity: 2,300 or 3,000 litres
- Turning radius (c-to-c): 6,2 metres
- CE Type approval (verified by third party)
- Conformance with CE12312-6 and other relevant aviation industry standards
- Fits into standard container for easy shipping

#### Optional features:

- One-man operation
- One, two or three tanks
- ADF heating:
  - Electrical (36kW) or
  - Diesel burner (80kW or 160kW)
- Batch heating
- 3000 liter tank capacity
- Proportional mixing system
- Forced Air

Caution: Specifications are advisory only, and will vary. Please request exact, updated data.