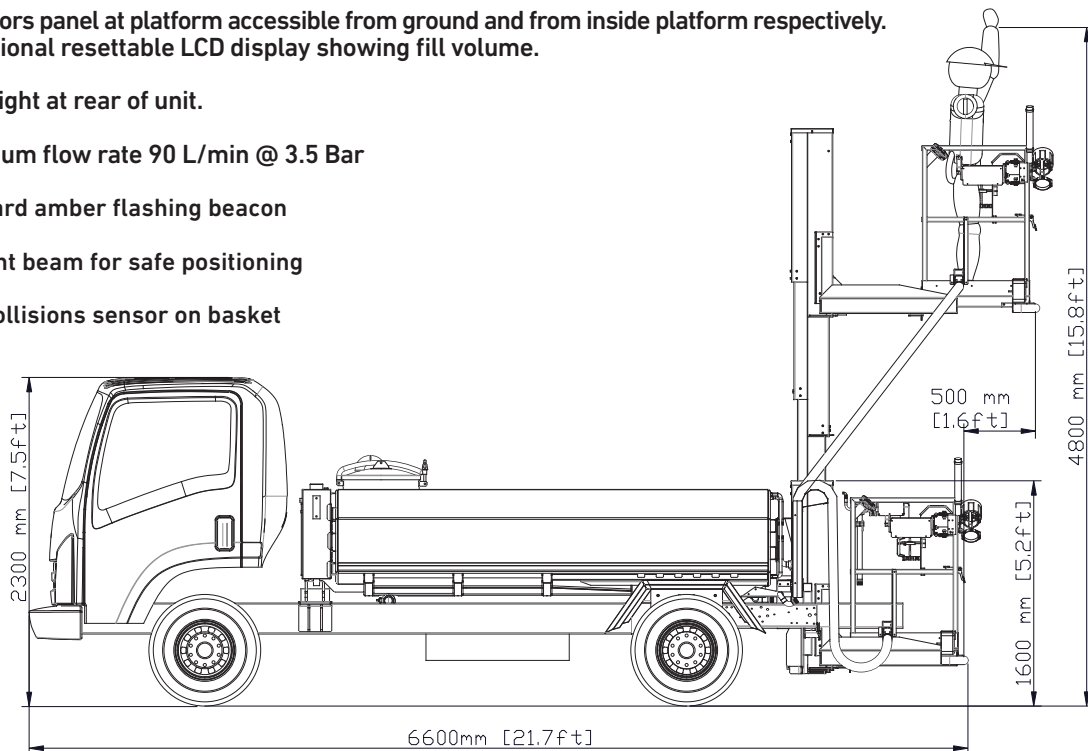


ZWS - POTABLE WATER SERVICE UNIT

TECHNICAL SPECIFICATIONS

- Total tank capacity 3700 liter
- Stainless steel (AISI 316) tanks with 5 year warranty
 - 500 mm manhole stainless steel (AISI 316) with snap-lock.
- Special tank designed to avoid bacterial growth
- All components, hoses, connections, etc. in food grade quality.
- Large elevating working platform: Maximum height of platform floor 3.0 meter
 - Horizontal extension up to 0.5 meter (optional)
 - Platform and complete lift assembly made of stainless steel
 - Able to service potable water systems on all type aircrafts.
- Installed on standard truck chassis: PTO on gearbox
 - Automatic speed-up function when in operation
 - Manual or automatic transmission.
- Simple operation with minimal training needed
- All components easily accessible for service and maintenance
- All components protected against corrosion
- Operators panel at platform accessible from ground and from inside platform respectively.
 - Optional resettable LCD display showing fill volume.
- Work light at rear of unit.
- Maximum flow rate 90 L/min @ 3.5 Bar
- Standard amber flashing beacon
- Up-light beam for safe positioning
- Anti-collisions sensor on basket



For questions and requests for further information please contact:

Vestergaard Company A/S

Skulbjerg 31 • Gevninge
DK-4000 Roskilde • Denmark
Tel: +45 4642 2222
Fax: +45 4642 2232
sales@vestergaardcompany.com
www.vestergaardcompany.com

Vestergaard Company Inc.

1721 N. Oak Drive
McHenry, IL 60050 • USA
Tel: +1 815 759-9102
Fax +1 815 759-9103
Toll free: +1 888 759-9118
usa@vestergaardcompany.com

Vestergaard Company SASU

17 L route de Creil
95340 Bernes sur Oise
Tel.: +33 1 30 34 55 87
france@vestergaardcompany.com

Vestergaard Company Ltd.

Pinthong Industrial Estate
789/50 Moo 1, Nongkham
Chonburi 20230 • Thailand
Tel: +66 (0) 38 348 630
Fax: +66 (0) 38 348 631
asia@vestergaardcompany.com

Caution: Specifications are advisory only, and will vary. Please request exact data.

COMPANY
VESTERGAARD