



Aircraft washing ELEPHANT® SIGMA

Based on its well-established, firm technical base in the Elephant family of aircraft de-icers, the Vestergaard Elephant Sigma is introduced especially for servicing smaller to medium-sized aircraft.

The Vestergaard Elephant® Sigma Aircraft Washer is available for customers with a specific need for aircraft washing. Using the components and systems

from de-icing systems that have already proven themselves over the years, the Elephant® Aircraft Sigma Washer is a unique, purpose-built truck, providing customers with reliable and efficient aircraft washing capability.

In line with a classical Vestergaard "virtue", the unit is built on a standard, commercial chassis from a renowned telescope loader manufacturer, with a

MAJOR ADVANTAGES

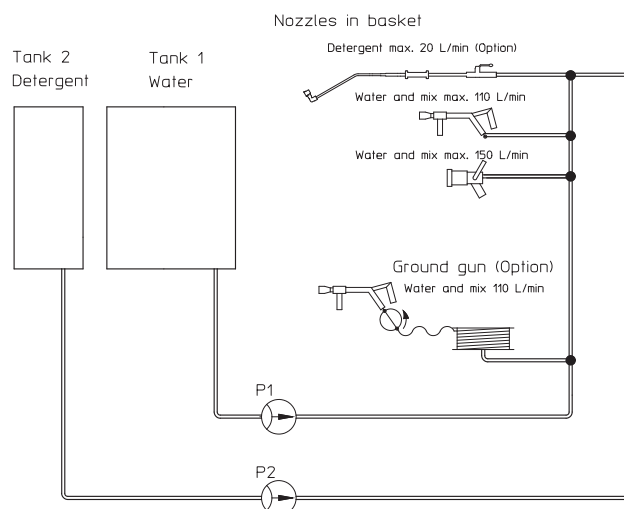
- Compact design
- Self-propelled chassis
- Generous selection of options
- Highly competitive price
- User-friendly

sturdy diesel engine and hydrostatic drive, allowing for world-wide, easy access to spare parts and servicing. The unit is very compact and highly manoeuvrable in crowded apron environments and can be delivered in either one or two-man operation.

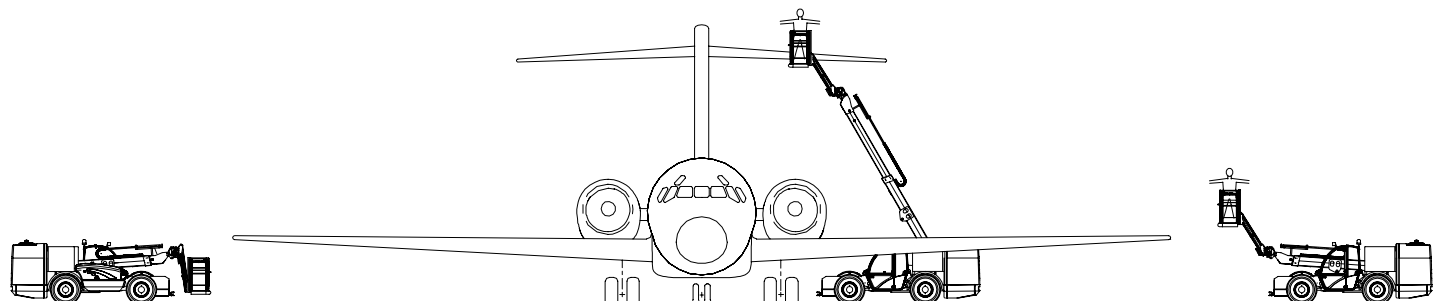
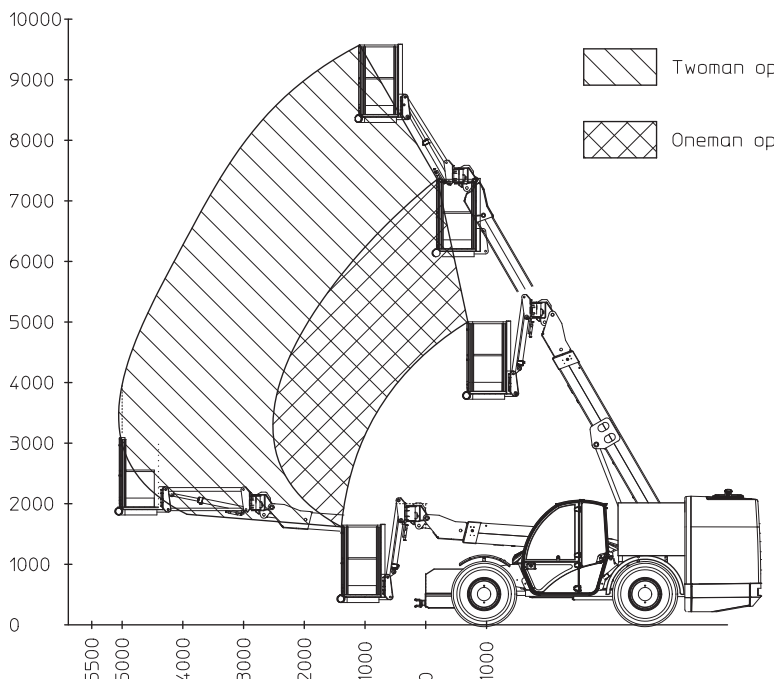
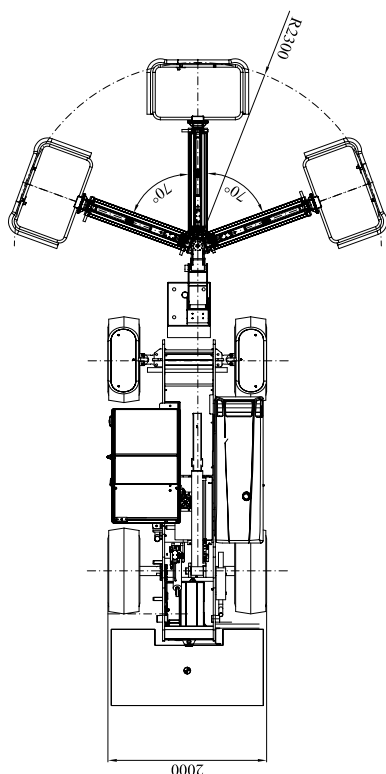
With the one-man operation options the entire unit can be operated – and driven – by the operator in the basket, using joystick controls conveniently located in the basket. The basket has ample capacity for two persons, as it is rated for 205+ kg.

The rotating fly-jib boom system allows the operator to cover a horizontal width of more than 6 metres, meaning that re-positioning operations during washing can be minimized.

Highly compact in dimensions, and yet with a tank capacity of up to 3000 litres, the unit has considerable washing capacity,



General Data



B717/MD80-90

Specifications

Standard features:

- Chassis: Telescope loader
- Engine: Diesel engine (Deutz) transmission: Hydrostatic drive
- Fluid selections: 100% tank 1 selection
- Max. nozzle height: 10 metres
- Max. boom rotation: 6.0 metres
- Max. flow rate: 150 l/min
- Tank capacity: 2,300 litres
- Turning radius centre to kerb: 6,5 metres
- CE Type approval (verified by third party)
- Conformance with CE12312-6 and relevant standards
- Fits into standard container for easy shipping and storage.

Optional features:

- One-man operation. Operated unit from basket.
- Two or three tanks versions, with up to 3000 litre tank capacity
- Bottom filling of tanks
- Fluid/Mix selections: "require two tank version"
 100% Water • 20% Detergent • 100% Detergent
- Hot water option available
 4x9 kWh electrical heating
 One or two 80 kWh diesel heating
- Spray gun at ground level (ground gun)
- Lance nozzle for 100% detergent in basket "require two tank version"
- Intercom basket/cabin